



BASKET CENTRIFUGE

BC(4LP)SERIES >>> PLATFORM cGMP CENTRIFUGE



4LP Series Platform cGMP Centrifuge



ECTFE Lined cGMP for High-Corrosion media

Standard Structure Form

Body shell has welded to platform. It equipped with quick open structure, shell cover is fixed to shell body with flange. The shell cover, which is opened with the help of mechanical balancer is equipped with feeding pipeline, washing pipeline, sight glass, viewing light, inert gas sparge and vent etc.

Standard Configuration

Vertical common motor (or explosion proof type), clutch and manual brake, common v-belt, motor belt wheel safety cover and damp shock absorber.

Main material

Base Frame covered with stainless steel. Revolving drum also adopts stainless steel 316. Shell body (including attached facilities) both adopts stainless steel 316. Driven shaft is from high strength steel covered with stainless steel.

Model and Main Parameters

Item/Model	4LP-600	4LP-800	4LP-1000	4LP-1200
Drum diameter (mm)	600	800	1000	1200
Drum volume (L)	45	90	140	250
Drum height (mm)	350	400	420	450
Loading capacity (Kg)	68	135	200	300
Drum Max. speed (r/min)	1600	1200/1500	1080/1200	950
Maximum separating factor	860	652/1007	652/805	605
Motor power (Kw)	3	5.5/7.5	11	15
Weight (Kg)	1100	1400/1500	2500	3000

Customer Choices

1. Shell body is connected with slab by flange to ensure a fast lock structure and dependable sealing, and the shell body can also adopts a reversal structure.
 2. Direct link motor,
 3. Drum adopts machining and dynamic balancing.
 4. Gas outlet, inert gas and other structure requirements can be achieved according to the user's demand.
- In different cases of corrosion, different materials may be applied such as S.S: 316, 316L, 321, 304, titanium alloy, ECTFE Lined, Rubber Lined, Glass Lined, and etc.

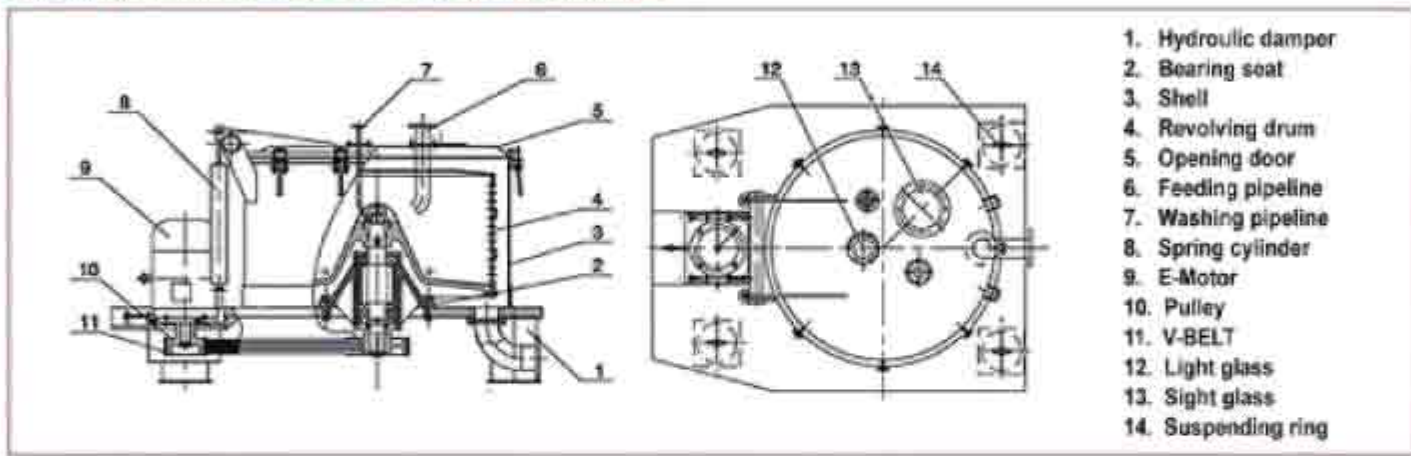
Optional Services

1. Frequency conversion plus dynamic braking (feedback braking)
2. Vibration protection,
3. Nitrogen protection, Oxygen content detection (including Nitrogen controlling).
4. Automatic shut down with the cover opening and automatic cover locking against the its falling down.
5. Liquid seal equipment in the liquid outlet (or vortex separation).
6. CIP cleaning facilities,
7. Explosion proof motor, static electricity proof transmission belt.
8. Other demands.



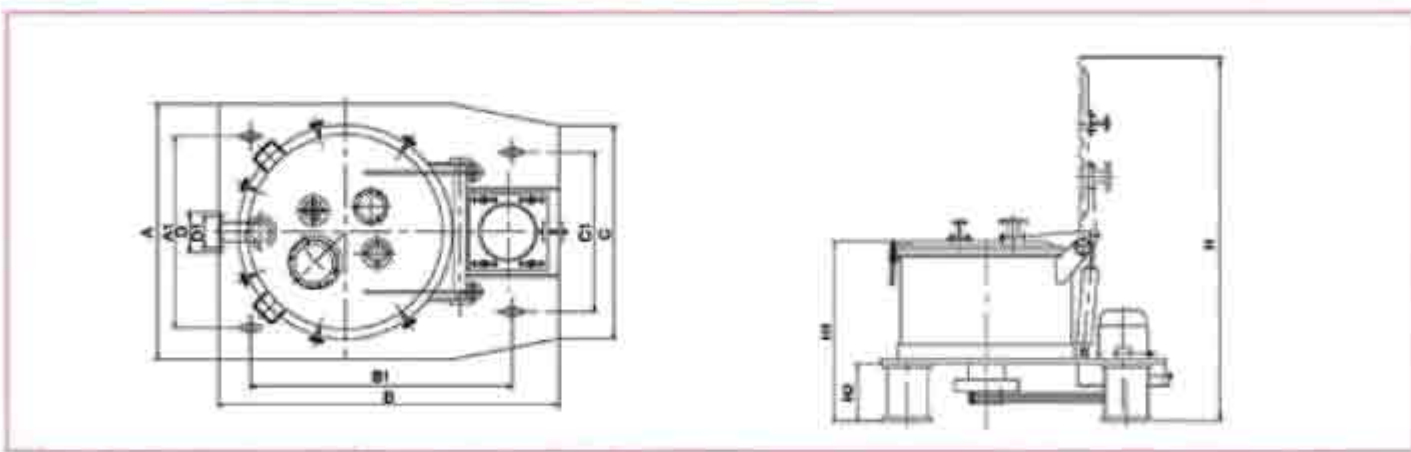
● BC(4LP)

The main part and sketch of 4LP series Basket centrifuge



● BC(4LP)

Main Dimensions and installation data for 4LP series Basket centrifuge



Installation Size and Main Dimensions

Item/Model	A	A1	B	B1	H	H1	H2	C	C1	D	D1	n-d
4LP600	920	660	1335	845	1750	865	250	600	660	185	145	4-φ18
4LP800	1200	900	1600	1230	2120	1008	320	1000	750	200	160	8-φ18
4LP1000	1500	1100	1968	1350	2320	1065	300	885	1000	220	180	8-φ18
4LP1200	1800	1200	2280	1700	2720	1215	360	1400	1200	250	210	8-φ18